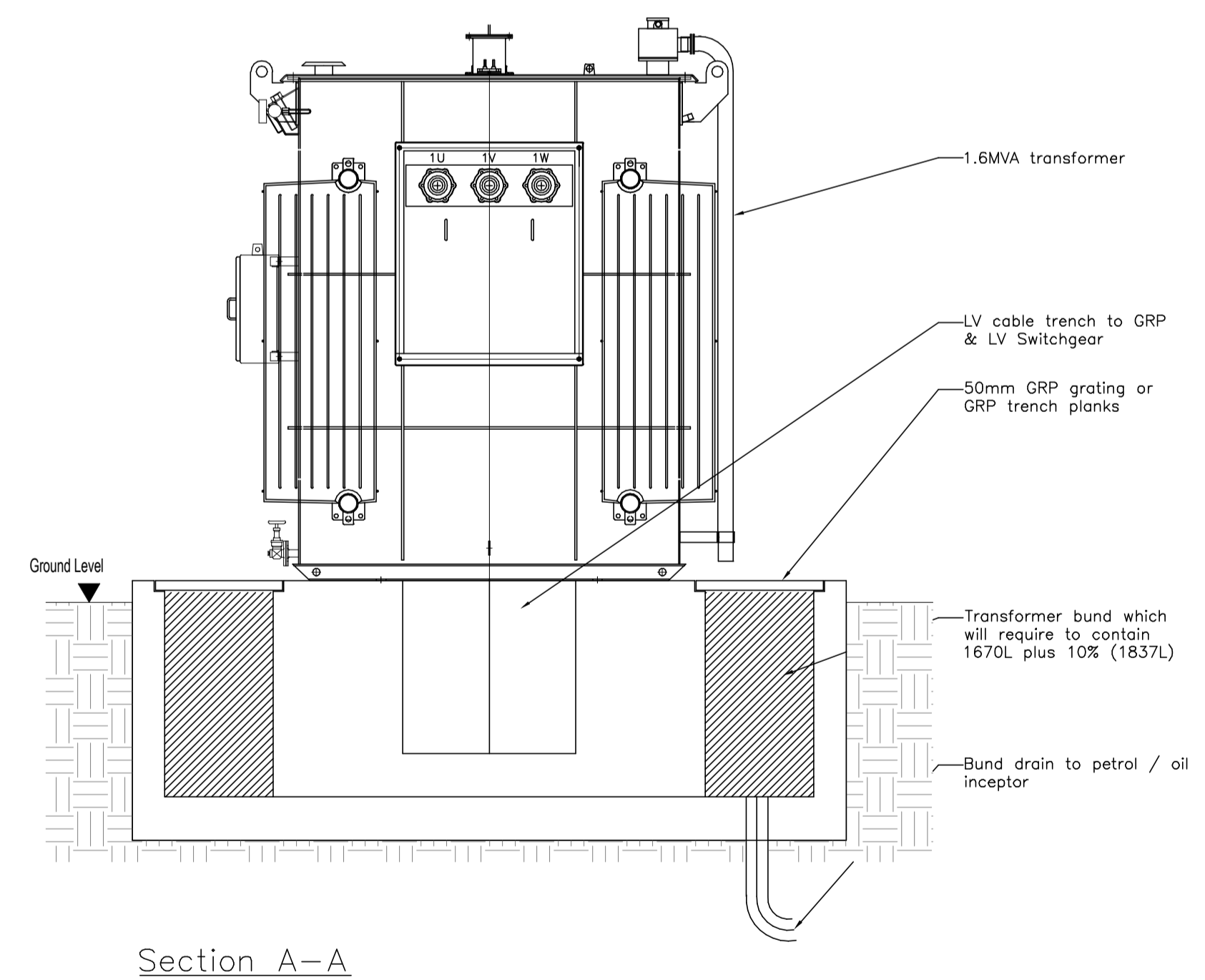
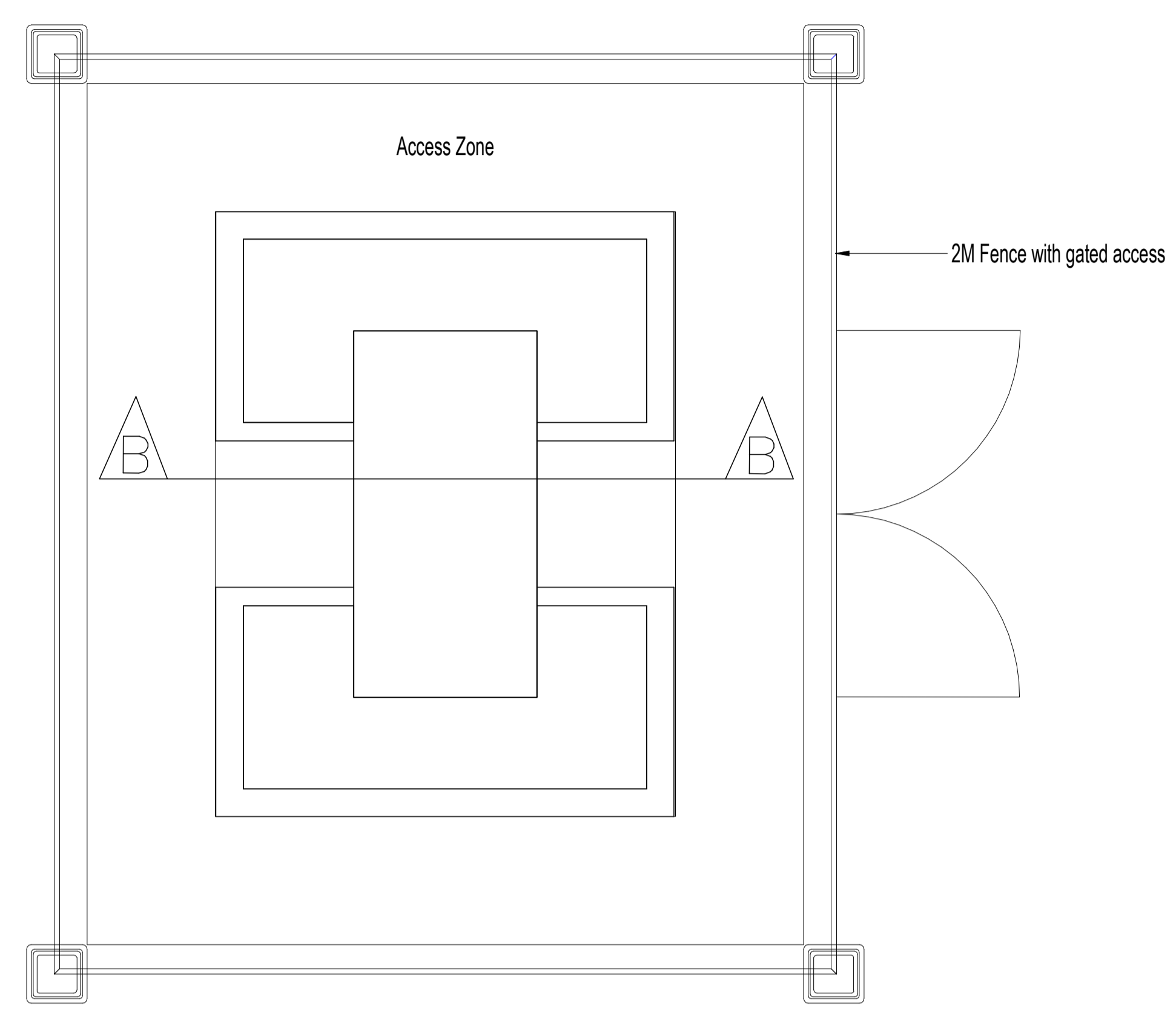
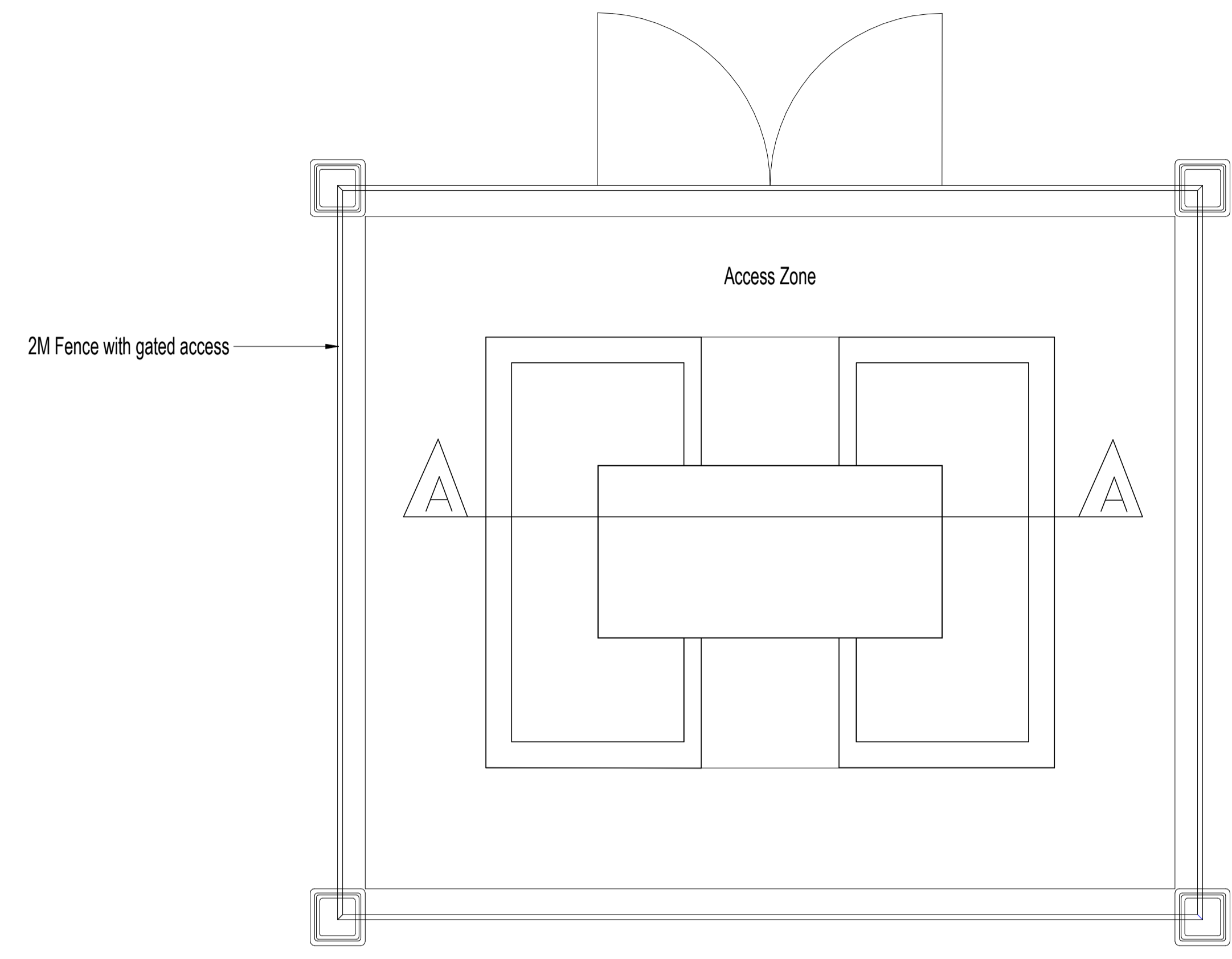
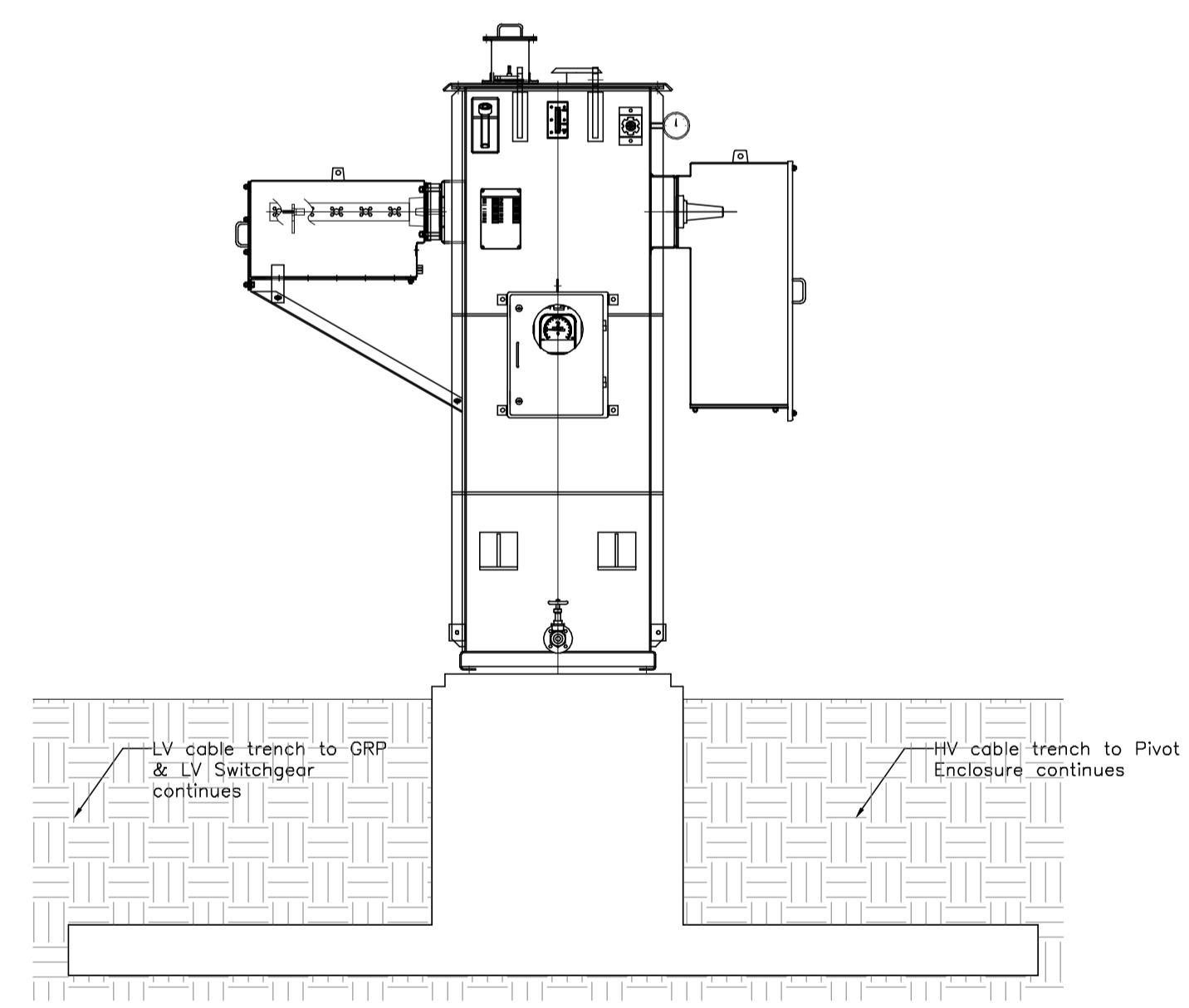


Construction (Design and Management) Regulations  
 Design risk assessments are carried out throughout the design stage of this project in accordance with company procedures and manuals. Where reasonably possible all areas of risk applicable to design and end use of the construction have been identified and then eliminated, mitigated or recorded as a residual risk. Note the general use of which a competent designer or contractor should be aware are not included. This drawing is to be read in conjunction with the Pre-construction Information and all related documents prepared in accordance with the current Construction (Design and Management) Regulations 2015 and all applicable Health and Safety legislation as currently amended.  
 Disclaimer: The information contained within this drawing is based on survey information provided by the main contractor appointed Surveyor - Gwella Surveyors. Lawray Architects cannot guarantee the accuracy of the survey information. All levels, structural elements and walls have been interpolated from the 2D and 3D information supplied.  
 The Main Contractor shall verify all levels, structural elements and walls prior to any works. The Main Contractor must inform the Design Team of any discrepancies between their level checks and the Design Proposals immediately.



Section A-A



Section B-B

WORK IN PROGRESS  
08.07.24

REV DESCRIPTION | DRAWN BY | CHECKED BY | APPROVED BY | DATE  
 RBA PLAN OF WORK 2013 WORKSTAGE LEVEL OF MODEL DEFINITION (LOD)  
 PURPOSE OF ISSUE - SUITABLE FOR... BS1192 STATUS



CARDIFF 029 2052 8140  
 LONDON 0207 138 3560  
 WREXHAM 01978 357 887  
 www.lawray.co.uk

CLIENT  
Morgan Sindall

PROJECT TITLE  
Pen Y Dre Campus

DRAWING TITLE  
Proposed Typical PV GRP Compound Elevations

PROJECT No 19473 SCALE @ A1 1 : 25

DRAWING No	PROJECT - ORIGINATOR - VOLUME - LEVEL - TYPE - ROLE - NUMBER	REVISION
05192.007	262006-LAW-X-XX-DR-A-069-1007	

DO NOT SCALE Any discrepancy or query concerning this drawing should be referred to the Architect  
 Registered Office: Greenmeadow Springs, 1 Oak Gwydd, Torgnydd, Carmarthen, CARDIFF CF15 7AB  
 Reg. Co. No. 2724178, VAT Reg. No. 134 2148 06