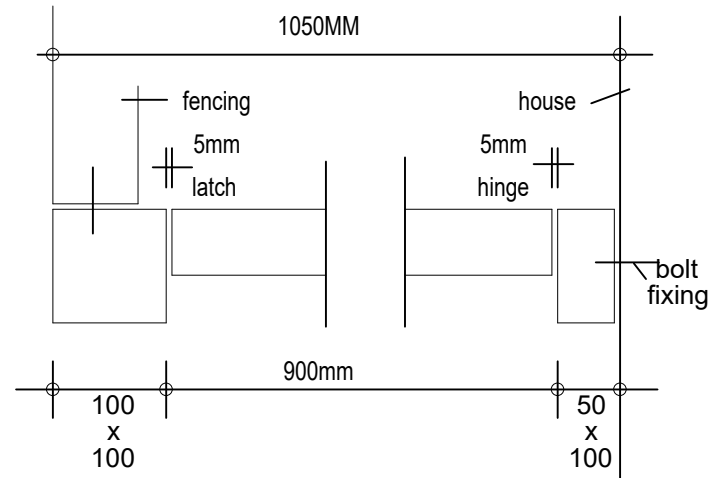
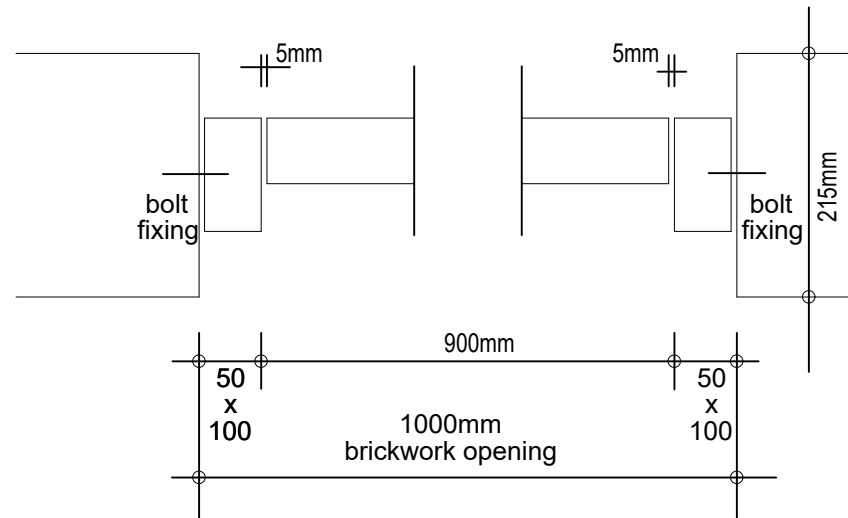


CLOSE BOARD GATE



PLAN DETAIL 01



PLAN DETAIL 02

REV.	DESCRIPTION	DATE
CLIENT		
Westacres		
DRAWING TITLE		
External Details		
1800mm close board gate		
SCALE	DATE	DRAWN BY
1:20@A4	Aug '23	HA Ltd
DRAWING NO.	REVISION	TYPE
2218-D03	.	PLN



10 Gold Tops
Newport NP20 4PH
t. 01633 844970
e. info@hammond-ltd.co.uk

www.hammond-ltd.co.uk

© Hammond Architectural Limited 2023
Figured dimensions must be taken in preference to scaled dimensions and any discrepancies are to be referred to Hammond Architectural Ltd. Contractors, subcontractors and suppliers must verify all dimensions on site before commencing any work or making any workshop drawings.