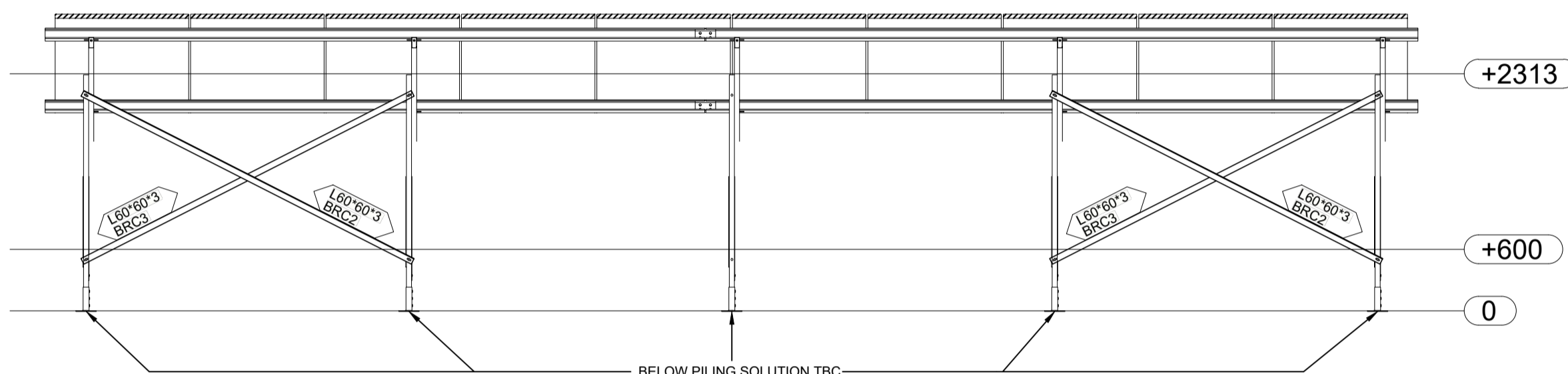
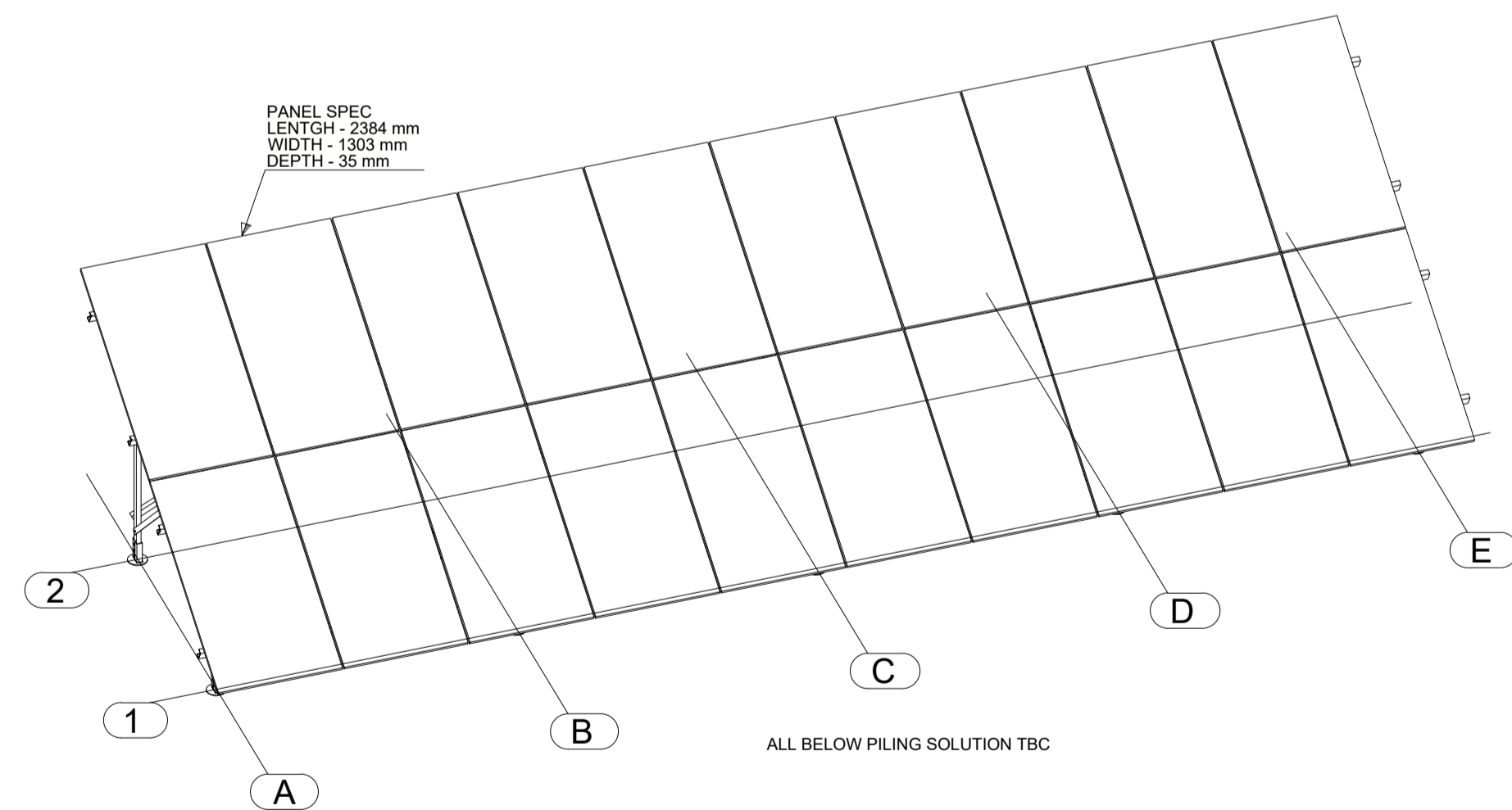


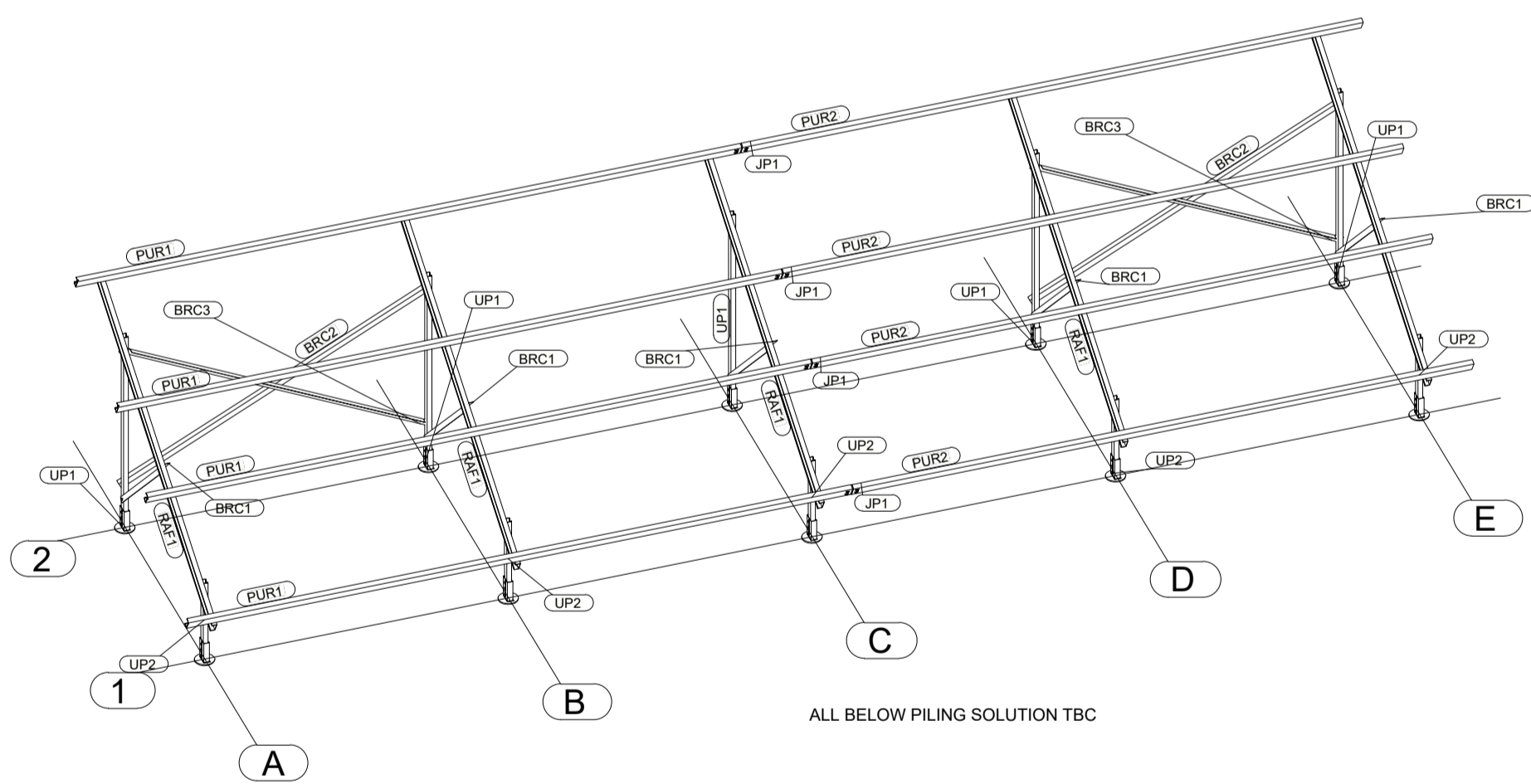
TOP VIEW WITH PV-MODULES
1:40



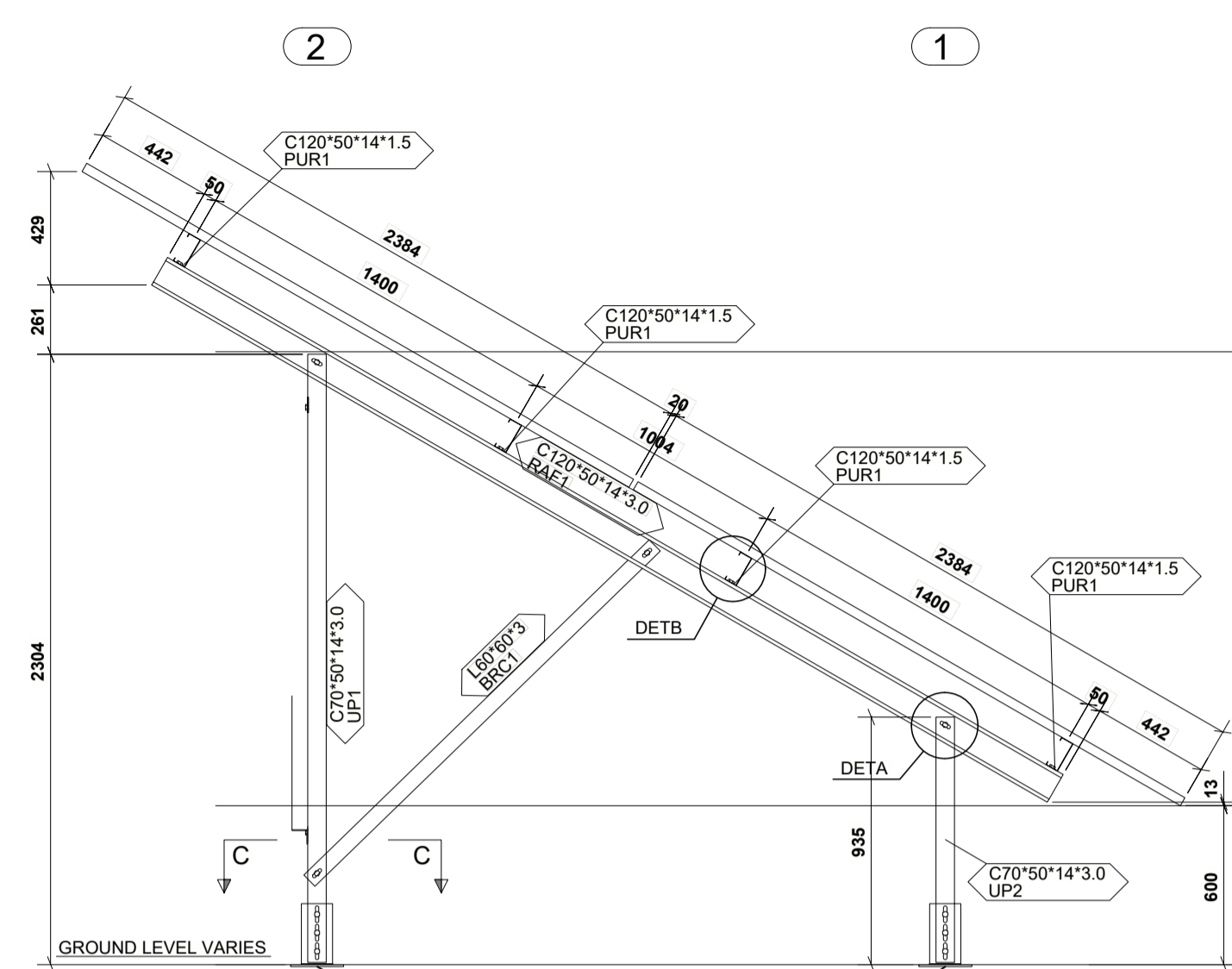
SECTION VIEW B-B
1:40



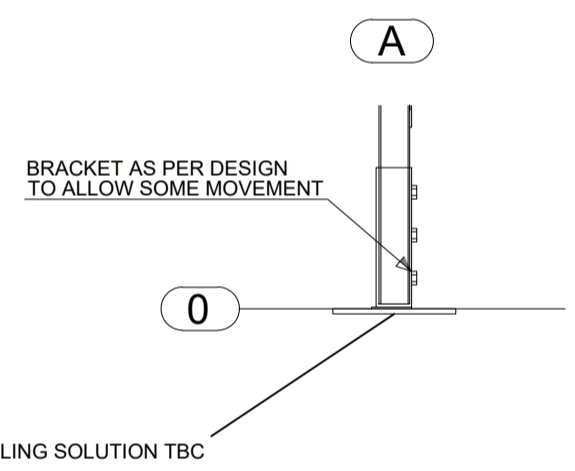
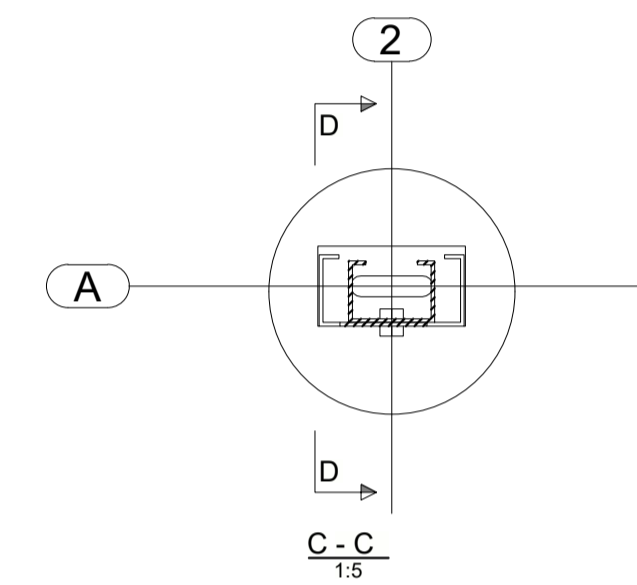
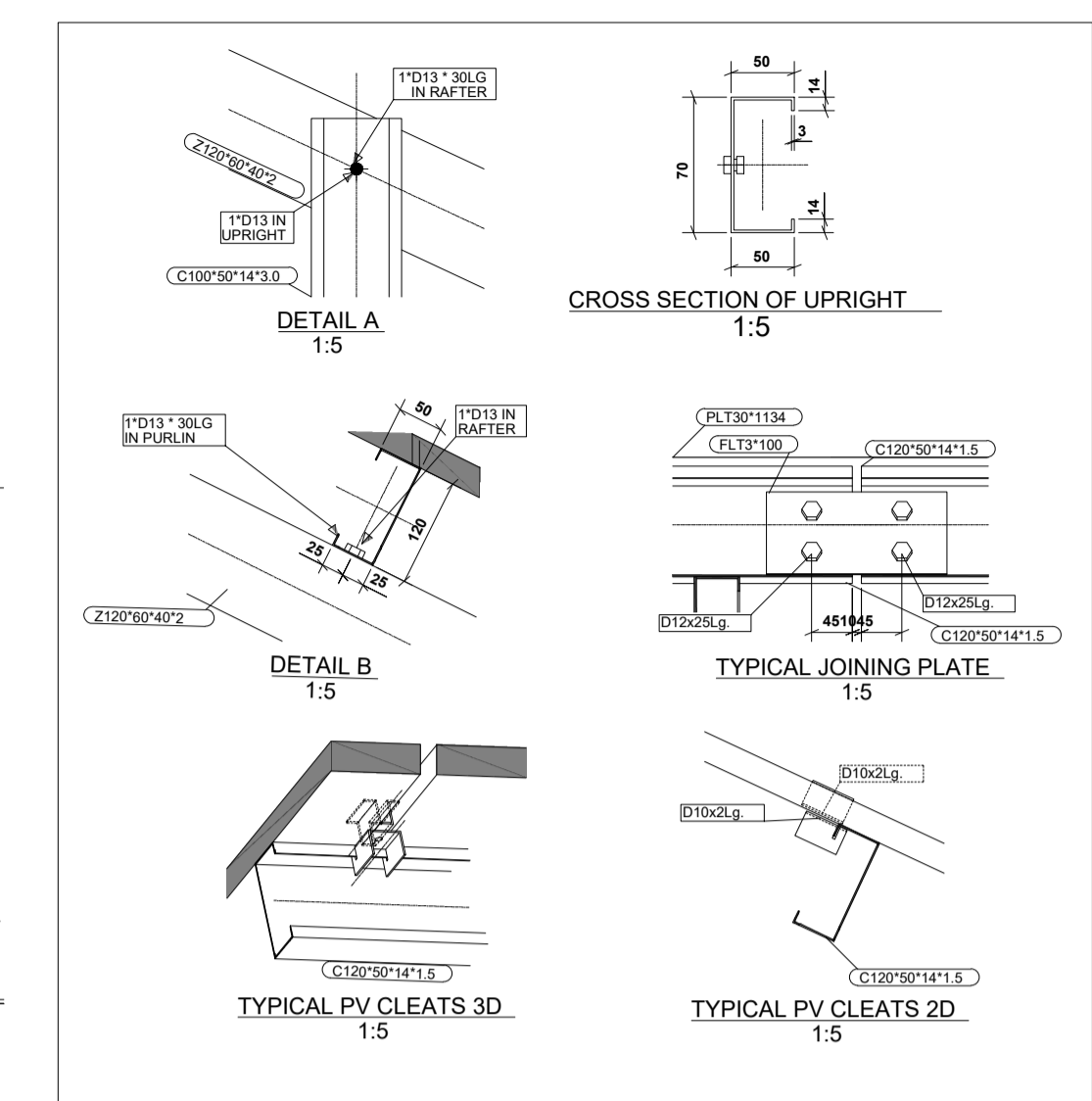
FRAMES WITH PV-MODULES
1:50



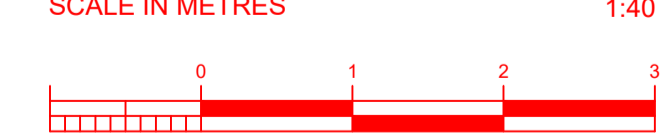
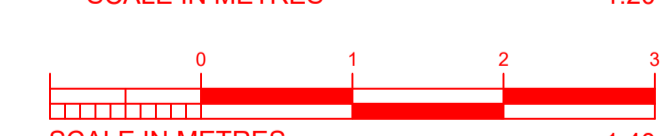
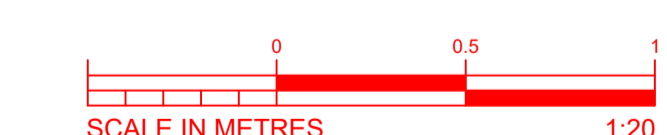
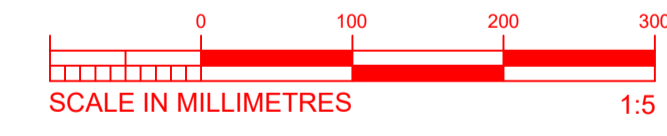
FRAMES WITH PV-MODULES
1:50



SECTION VIEW
1:20



D - D
1:10



CHECK COPY

ISSUED FOR INFORMATION

REV	DATE	DESCRIPTION	DRW	CKD	APP
PA0.2	29.07.24	ISSUED FOR INFORMATION	TC	AR	AT
PA0.1	25.07.24	ISSUED FOR INFORMATION	LD	MA	BP



Vital Energi, Century House, Roman Road, Blackburn, Lancashire, BB1 2LD
Tel: +44 (0)1254 296 000 Fax: +44 (0)1254 296 040

Project: NANTYCAWS HWRC SOLAR			
Title: MOUNTING SYSTEM FRAMEWORK ELEVATION			
DATE	29.07.2024	SCALE	1:5, 1:10, 1:20, 1:40, 1:50
SHEET		Status:	S2
		Stage:	2
INFORMATION		Dwg-No:	20335-VE-CR-XX-E-M-XX03
		Rev:	PA0.2

